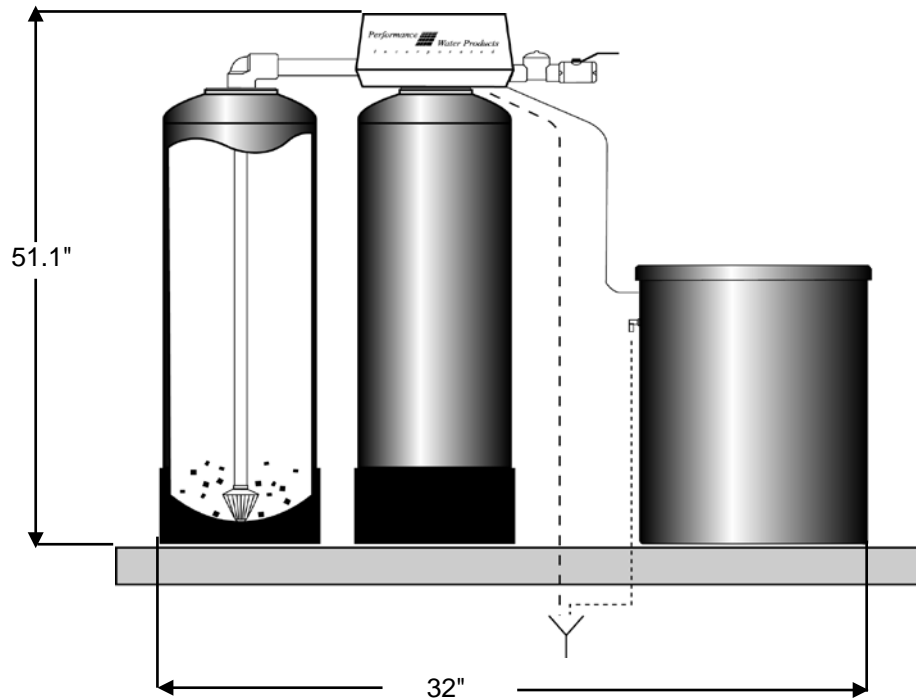
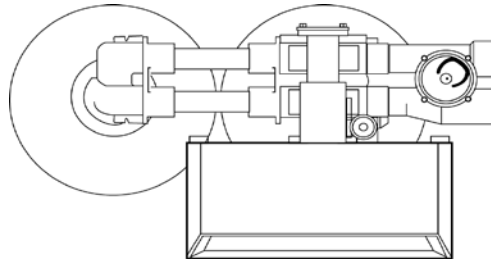


TWIN WATER SOFTENER SYSTEM



Water Softener Specification

Model #:	WB90T16-7
Capacity:	16,000 grains ea
Flow Rate:	12 GPM
Peak Flow:	16 GPM
BW Rate:	1.2 GPM
Tank Size:	7X44" Fiberglass
Brine Tank:	18" x 30" poly
Media Vol.:	1/2 cuft per tank
Pipe Size:	
Inlet:	3/4" NPT
Outlet:	3/4" NPT
Drain:	1/2" NPT
Weight:	
Shipping:	
Operating:	

Note:

Supply sufficient pipe support to insure that no pipe weight is supported by the softener control.

All Dashed pipe, valves and fittings provided by others.

Make all plumbing connections in accordance with all state and local plumbing codes.

Install sample valve on softener outlet for ease of sampling water hardness.