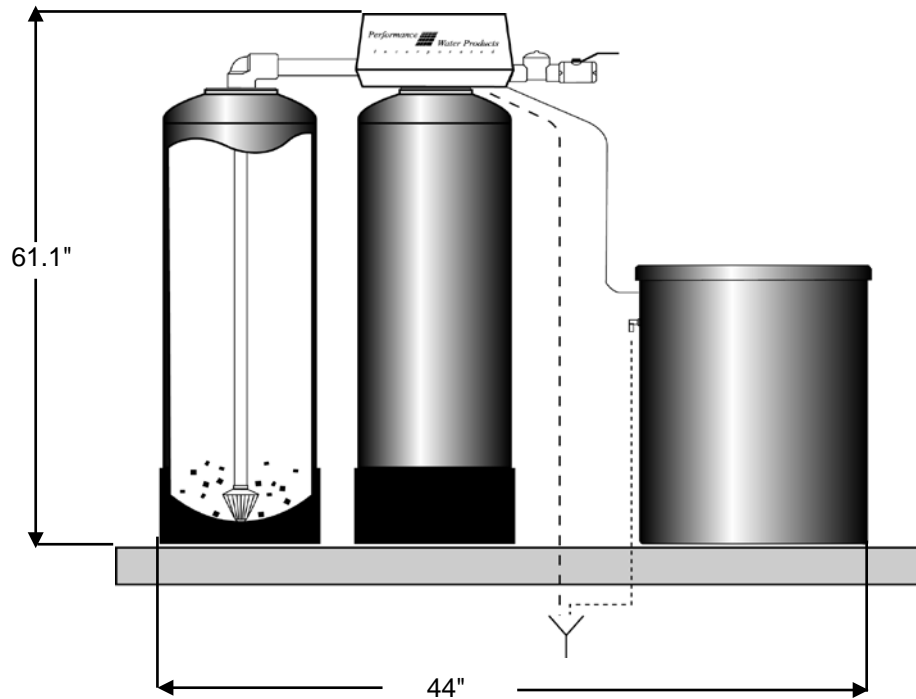
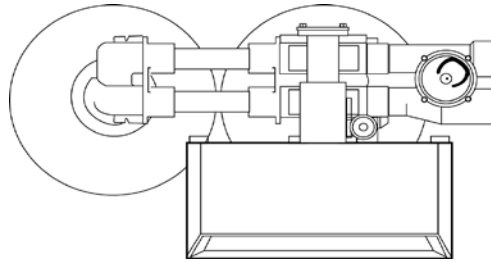


## TWIN WATER SOFTENER SYSTEM



### Water Softener Specification

|                    |                          |
|--------------------|--------------------------|
| <b>Model #:</b>    | <b>WB90T75-13</b>        |
| <b>Capacity:</b>   | <b>75,000 grains ea</b>  |
| <b>Flow Rate:</b>  | <b>15 GPM</b>            |
| <b>Peak Flow:</b>  | <b>20 GPM</b>            |
| <b>BW Rate:</b>    | <b>4 GPM</b>             |
| <b>Tank Size:</b>  | <b>13X54" Fiberglass</b> |
| <b>Brine Tank:</b> | <b>18" x 40" poly</b>    |
| <b>Media Vol.:</b> | <b>2.5 cuft per tank</b> |
|                    |                          |
| <b>Pipe Size:</b>  |                          |
| <b>Inlet:</b>      | <b>3/4" NPT</b>          |
| <b>Outlet:</b>     | <b>3/4" NPT</b>          |
| <b>Drain:</b>      | <b>1/2" NPT</b>          |
|                    |                          |
| <b>Weight:</b>     |                          |
| <b>Shipping:</b>   |                          |
| <b>Operating:</b>  |                          |

#### Note:

Supply sufficient pipe support to insure that no pipe weight is supported by the softener control.

All Dashed pipe, valves and fittings provided by others.

Make all plumbing connections in accordance with all state and local plumbing codes.

Install sample valve on softener outlet for ease of sampling water hardness.