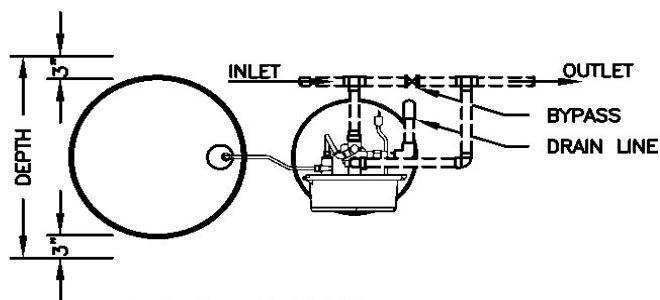


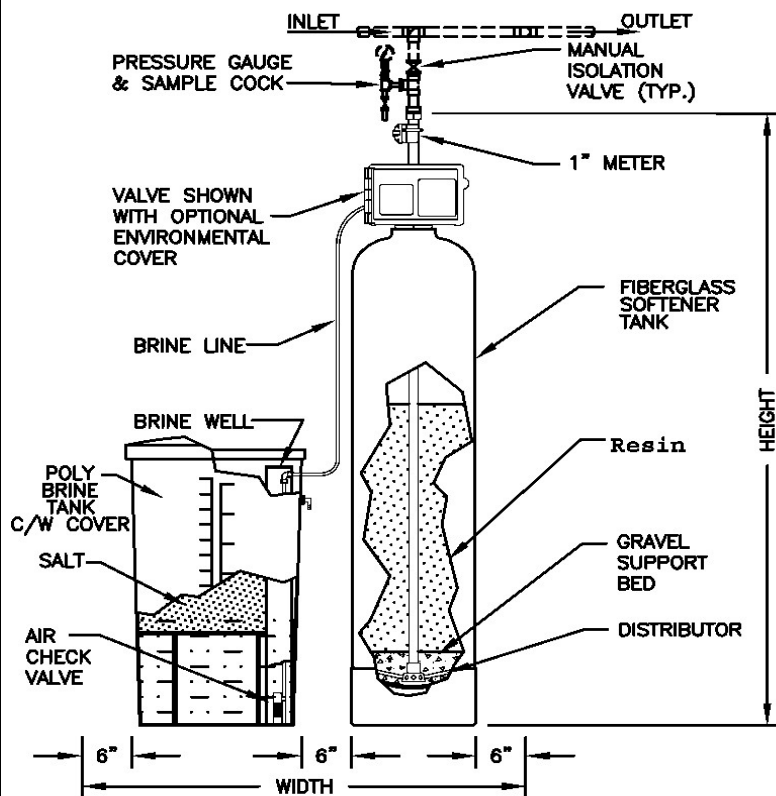
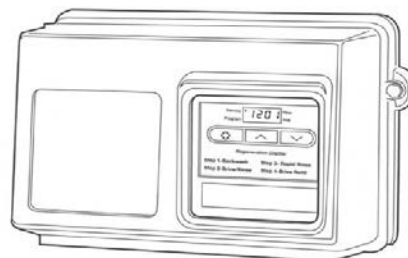
# SINGLE WATER SOFTENER SYSTEM

## Water Softener Specs

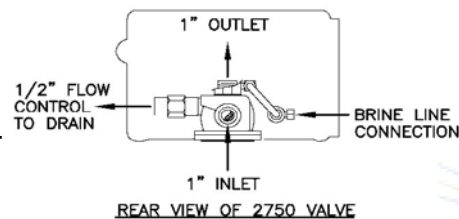
<b>Model #:</b>	<b>WB27S60-12</b>
<b>Capacity:</b>	<b>60,000 Grains</b>
<b>Flow Rate:</b>	<b>18 GPM</b>
<b>Peak Flow:</b>	<b>24 GPM</b>
<b>BW Rate:</b>	<b>3.5 GPM</b>
<b>Tank Size:</b>	<b>2"x 52" FIBERGLASS</b>
<b>Brine Tank:</b>	<b>18" Dia x 40" Poly</b>
<b>Media Vol.:</b>	<b>2 FT<sup>3</sup></b>
<b>Inlet:</b>	<b>1" NPT</b>
<b>Outlet:</b>	<b>1" NPT</b>
<b>Drain:</b>	<b>3/4"NPT</b>
<b>Max Pressure:</b>	<b>100 PSI</b>
<b>Salt Per Regen:</b>	<b>30 LBS</b>
<b>Shipping Weight:</b>	<b>240#</b>
<b>Height:</b>	<b>58.5"</b>
<b>Width:</b>	<b>48"</b>
<b>Depth:</b>	<b>24"</b>
<b>Cycle Controller:</b>	
<b>Project:</b>	
<b>Date:</b>	



TOP VIEW



FRONT VIEW



REAR VIEW OF 2750 VALVE

### NOTE:

1. SINGLE SOFTENER WITH METER INITIATED DELAYED REGENERATION, THE PRESET REGENERATION TIME IS 2:00 AM
2. HARD WATER BYPASS DURING REGENERATION IS STANDARD.
3. REQUIRES 115 VOLT, 1PH, 60HZ ELECTRICAL POWER (STANDARD)
4. ALL PIPING, FITTINGS, AND VALVES SHOWN BY BROKEN LINES ARE SUPPLIED BY OTHERS.
5. INSTALLATION OF A VACUUM BREAKER IS RECOMMENDED.
6. FIBERGLASS SOFTENER TANK ARE NSF APPROVED.
7. DUE TO SLIGHT EXPANSION AND CONTRACTION OF TANK, PIPING MUST ALLOW SOME MOVEMENT.
8. AVAILABLE OPTIONS ON THESE UNITS INCLUDE SIDE MOUNTED VALVES, ELECTRONIC CONTROLLERS, AND BRINE TANK SAFETY FLOAT.

